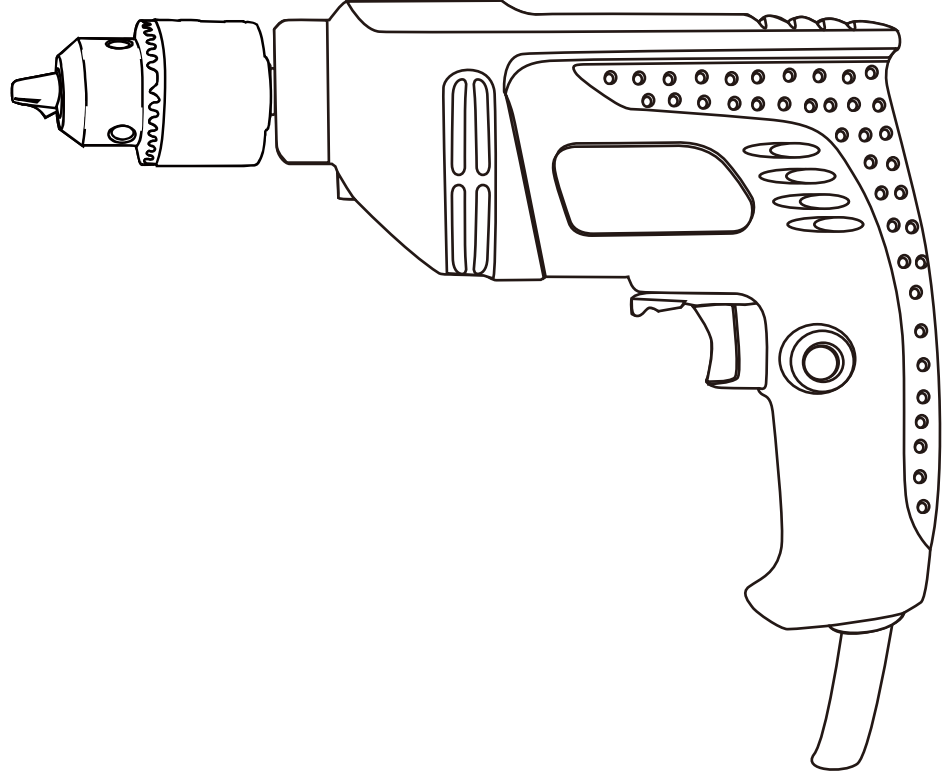


POWER ACTION[®]

Power action tools are your smart choice



Hand Drill

HD500B

GB

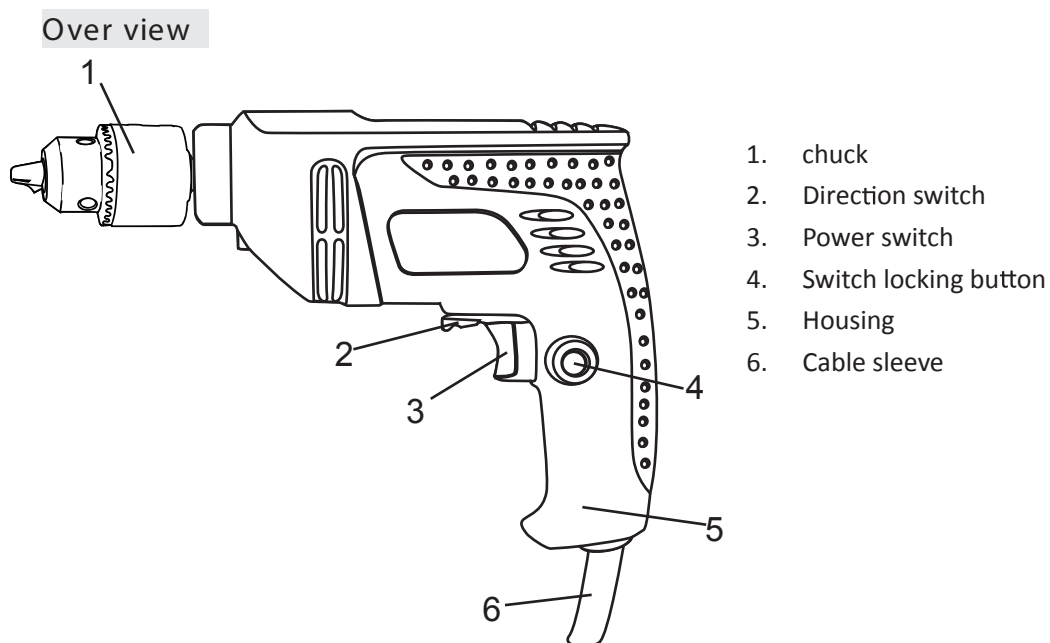


GB

Read this operators guide carefully, before using the machine. Ensure that you know how the machine works, and how it should be operated. Maintain the machine in accordance with the instructions, and make certain that the machine functions correctly. Keep this operator's guide and other enclosed documentation with the machine.

TECHNICAL SPECIFICATIONS

Model	HD500B
Rated Voltage	220-240V ~ 50Hz
Power	500w
Chuck size	10mm
no load speed	0-3000/min
Drill capacity	Wood:20mm
	Metal:10mm
Net weight	1.27kg



General Safety Instructions for Electric Tools

This device is exclusively for private use! It is not fit for commercial use!

WARNING! Read all instructions. Failure to follow all instructions listed below may result in electric shock, fire and/or serious injury:

SAVE THESE INSTRUCTIONS

1) Work area

- **Keep work area clean and well lit.** Cluttered and dark areas invite accidents
- **Do not operate machines in explosive atmospheres, such as in the presence of flammable liquids, gases or dust.** Machines create sparks which may ignite the dust or fumes.
- **Keep children and bystanders away while operating a machine.** Distractions can cause you to lose control.

2) Electrical safety

- **Machine plugs must match the outlet. Never modify the plug in any way. Do not use any adapter plugs with earthed (grounded) machines.** Unmodified plugs and matching outlets will reduce risk of electric shock.
- **Avoid body contact with earthed or grounded surfaces such as pipes, radiators, ranges and refrigerators.** There is an increased risk of electric shock if your body is earthed or grounded.
- **Do not expose machines to rain or wet conditions.** Water entering a machine will increase the risk of electric shock.
- **Do not abuse the cord. Never use the cord for carrying, pulling or unplugging the machine. Keep cord away from heat, oil, sharp edges or moving parts.** Damaged or entangled cords increase the risk of electric shock.
- **When operating a machine outdoors, use an extension cord suitable for outdoor use.** Use of a cord suitable for outdoor use reduces the risk of electric shock.

3) Personal safety

- **Stay alert, Watch what you are doing and use common sense when operating a machine. Do not use a machine while you are tired or under the influence of drugs, alcohol or medication.** A moment of inattention while operating machines may result in serious personal injury.

- **Use safety equipment. Always wear eye protection.** Safety equipment such as dust mask, non-skid safety shoes, hard hat, or hearing protection used for appropriate conditions will reduce personal injuries.
- **Avoid accidental starting. Ensure the switch is in the off position before plugging in.** Carrying machines with your finger on the switch or plugging in machines that have the switch on invites accidents.
- **Remove any adjusting key or wrench before turning the machine on.** A wrench or a key left attached to a rotating part of the machine may result in personal injury.
- **Do not overreach. Keep proper footing and balance at all times.** This enables better control of the machine in unexpected situations.
- **Dress properly. Do not wear loose clothing or jewellery. Keep your hair, clothing and gloves away from moving parts.** Loose clothes, jewellery or long hair can be caught in moving parts.
- **If devices are provided for the connection of dust extraction and collection facilities, ensure these are connected and properly used.** Use of these devices can reduce dust related hazards.

4) Machine use and care

- **Do not force the machine. Use the correct machine for your application.** The correct machine will do the job better and safer at the rate for which it was designed.
- **Do not use the machine if the switch does not turn it on and off.** Any machine that can not be controlled with the switch is dangerous and must be repaired.
- **Disconnect the plug from the power source before making any adjustments, changing accessories, or storing machines.** Such preventive safety measures reduce the risk of starting the machine accidentally.
- **Store idle machines out of the reach children and do not allow persons unfamiliar with the machine or these instructions to operate the machine.** Machines are dangerous in the hands of untrained users.
- **Maintain machines. Check for misalignment or binding of moving parts, breakage of parts and any other condition that may affect the machines operation. If damaged, have the machine repaired before use.** Many accidents are caused by poorly maintained machines.
- **Keep cutting tools sharp and clean.** Properly maintained cutting tools with sharp cutting edges

are less likely to bind and are easier to control.

- **Use the machine, accessories and tool bits etc., in accordance with these instructions and in the manner intended for the particular type of machine, taking into account the working conditions and the work to be performed.** Use of the machine for operations different from intended could result in a hazardous situation.

5)Service

- **Have your machine serviced by a qualified repair person using only identical replacement parts.** This will ensure that the safety of the machine is maintained.

Special Safety Instructions

- When drilling or screwing into walls, ceilings etc make sure beforehand that you will not damage any hidden electric cables. During this work you should not touch any metal parts of the machine. Only touch the machine by the plastic housing.
- Use both hands hold the machine. Loss of control can cause personal injury.
- Please ensure that the voltage of the mains power supply corresponds to that stated on the type plate. The tool is equipped with a two-pole lead and plug!
- Use safety glasses and a face or dust mask if the cutting or drilling operation is dusty. When using the tool for extended periods, or where the noise level is high, use hearing protection.
- Use clamps or a vice to hold the work. It is safer than using your hand and frees both hands to operate the tool.
- Ensure the cord is arranged so that it cannot be tripped over, stepped on or have heavy weights rested on it; and make sure that the cord will not be subjected to any damage.

Hearing protection

- In case of a sound pressure greater than 85.0 dB(A) wear hearing protection to avoid damage to your hearing!

OPERATION INSTRUCTIONS

Your machine is double insulated. This means that two completely independent types of insulation prevent you from coming into contact with live metal parts. This measure represents a high

degree of protection against an electric shock.

Your Drill has the following Functions:

The operating switch (3) is used for all work carried out with the drill machine

The machine can be set to continuous operation with the locking button (4)

The direction switch (2) controls the direction of motion when the machine is used as a screwdriver or if you would like to remove a drilling bit that has become jammed.

Preparing the Drilling Machine

Warning! When performing the following work. Always ensure that the machine is not connected to the mains power supply.

Inserting the Drill

For key chuck

First remove the mains supply from the socket. Turn the ring of the drill chuck (1) until the clamping jaws are open wide enough. Insert the drill into the clamping jaws of the drill chuck (1). Insert the end of the drill chuck key into one of the three holes on the body of the drill chuck (1) and let the head of the key lock into place in the ring of the drill chuck (1). In order to tighten the clamping jaws and fix the drill in place, turn the drill chuck key in a clockwise direction. Important: Then remove the key from the chuck (1)!

Working with the Drilling Machine

Ensure that the mains power supply voltage is the same as the operating voltage of your machine. For details, please see the type plate.

Insert the correct drill for the type of job to be performed. If necessary, adjust the bit stop. Adjust the speed of the machine using the regulating wheel on the operating switch (4). The more the operating switch (4) is pressed in, the faster the drill rotates. Set the direction switch (2) to the desired direction of motion. Never alter the position of the direction switch (2) when the machine is switched on by pressing the operating switch (4). When operating switch (4) is released, the machine stops. If you would like to use continuous operation press the locking button (3) while the operating switch (4) is pressed. In order to switch off the machine during continuous operation, press the operating switch (4) again and then let it go. Do not touch the drill chuck (1) while the machine is switched on.

Drilling Tips

- Always insert the correct size and type of drill or screwdriver.

- Set the machine to the correct speed.
- Always hold the machine tightly by the handle
- Set the direction switch (2) to the correct direction.
- Never change the direction of motion when the machine is switched on.

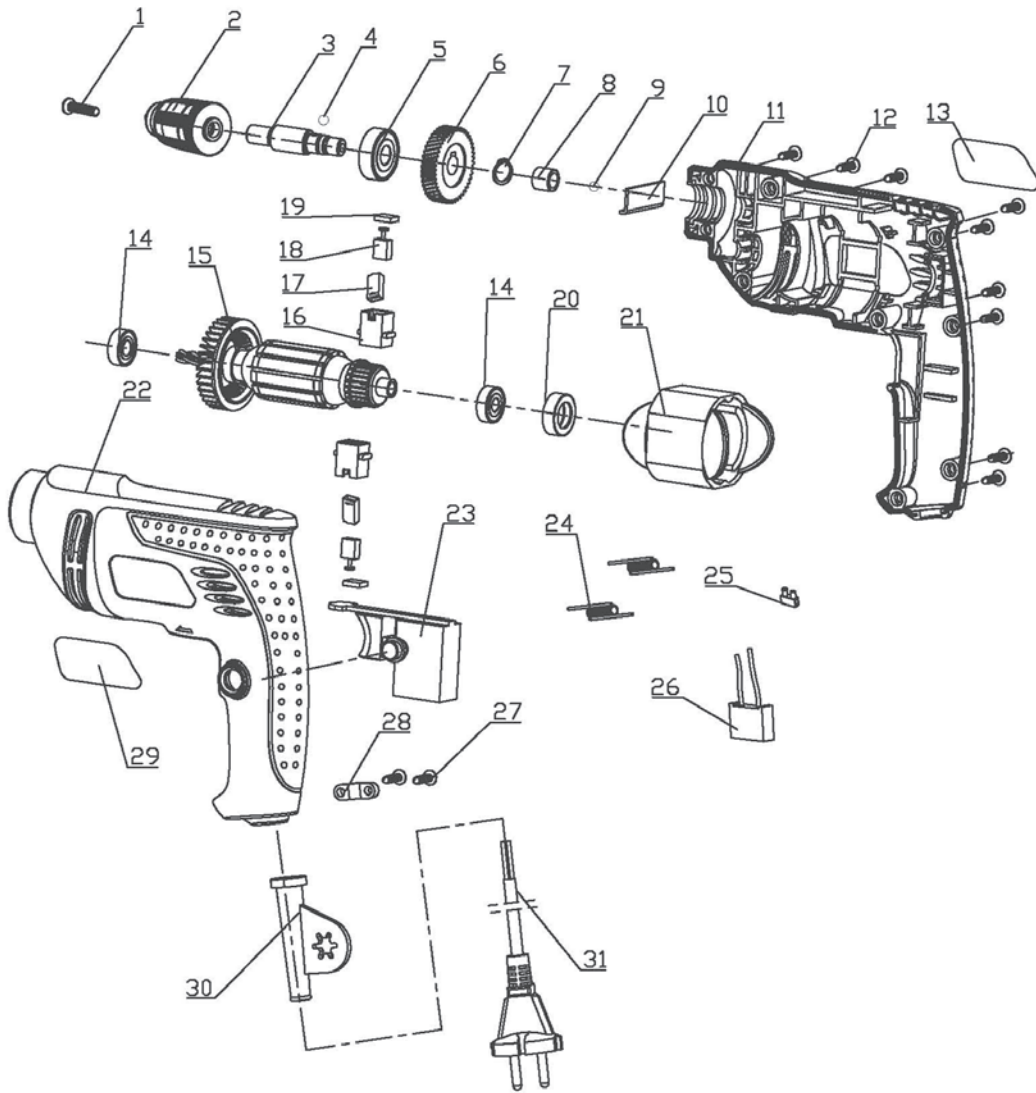
Overload

Never use excessive force when drilling. Too much pressure reduces the speed of the machine, and the required power is greatly reduced. This may result in overload, which can damage the motor of the drilling machine.

When the drilling machine becomes too hot, allow it to run for two minutes without a load and then interrupt working for a short time.

Clean the drilling machine with a clean cloth and a brush. Ensure that the ventilation slits are not blocked.

HD500B exploded view



HD500B Part list

No.	Part list	No.	Part list
1.	Chuck key	17.	Copper brush holder
2.	Chuck	18.	Carbon brush
3.	Spindle	19.	Carbon brush
4.	Steel ball	20.	Bearing bush
5.	Bearing 6901Z	21.	Stator
6.	Big gear	22.	Right housing
7.	Circlip	23.	Switch
8.	Needle bearing HK0709	24.	Inductance
9.	Steel ball	25.	Connector
10.	Baffle	26.	Capacitor
11.	Left housing	27.	Screw
12.	Screw	28.	Cable press board
13.	Label	29.	Name plate
14.	Bearing 607Z	30.	Cable sleeve
15.	Rotor	31.	Cable
16.	Brush holder		



WARRANTY CARD
For Dealer

Customer's Name.....Tel:.....

Address.....

Model/Serial No.....

Date of Purchase.....Expiry date.....

Damaged Parts.....

Customer

Dealer's Signature

Date

.....



WARRANTY CARD
For Customer

Customer's Name.....Tel:.....

Address.....

Model/Serial No.....

Date of Purchase.....Expiry date.....

Damaged Parts.....

Customer

Dealer's Signature

Date